

TEMPERATURE

1000 OHM 375 PLATINUM RTD FIXED TEMPERATURE TRANSMITTERS ST-T90 SERIES



DESCRIPTION

The **Kele Model ST-T90 Series** is a fixed range 1000Ω, 375 platinum room temperature transmitter that provides stable, accurate room sensing for temperature control of Building Automation Systems. The attractive white vented housing mounts easily and is constructed of durable plenum rated plastic with a white enameled aluminum faceplate. The **ST-T910E** is the Executive style room transmitter and the **ST-T90K** is the Design style room transmitter.

FEATURES

- **Low cost**
- **High accuracy**
- **No drift platinum RTD sensors**
- **Panel mounting for duct, immersion, OSA, and room**
- **UL 94V-0 plenum rated housing**
- **Used with Type 91 sensor**



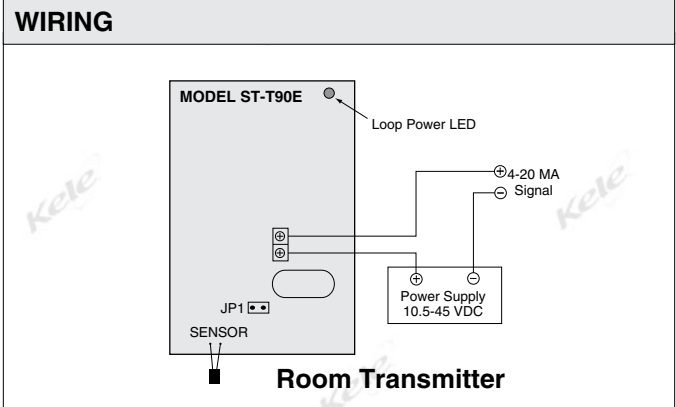
ST-T90E



ST-T90K



SPECIFICATIONS	
Supply Voltage	10.5-45 VDC
Signal Output	4-20 mA, two-wire, loop-powered Limit: 25 mA
Minimum Output Impedance	675Ω @ 24 VDC
Accuracy	
Sensor	±0.54°F (0.30°C)
Transmitter	0.1°F or 0.2% of span
Rangeability	-30° to 250°F (34° to 121°C) Min span of 40°F (22°C)
Rangeability	
Zero	-30° to 210°F (-34.4° to 98.9°C)
Minimum Span	40°F (4.4°C)
Usable Range	-30° to 250 °F (-34.4° to 121.1°C)
Sensor Type	1000Ω thin film platinum TCR 0.00375Ω/Ω/°C
Sensitivity	2.1Ω/°F @ 32°F
Operating Humidity	0% to 95% non-condensing
Operating Temperature	0° to 140°F (-18° to 60°C)
Approvals	CE (EN50081-1, EN50082-1) Optional CE (EN50081-2, EN50082-2) Industrial RF/EM hardened
Weight	0.3 lb (0.14 kg) either style "E" or "K"
Warranty	18 months





TEMPERATURE

1000 OHM 375 PLATINUM RTD FIXED TEMPERATURE TRANSMITTERS ST-T90 SERIES

APPLICATION

The **Room Temperature** application uses a vented room enclosure designed to minimize self-heating for accurate room measurement.

The **Duct Temperature** application is designed for direct mounting on sheet metal duct systems. The sensor is point sensitive and comes standard with a 4-7/8" (12.38 cm) insertion depth. Averaging probes come in 24" (7.3m) lengths and mount in a weather-resistant metal box.

The **Immersion Temperature** application is designed to be threaded directly into a 1/8" NPT well with a 3-1/4" (8.2 cm) insertion. The wells are available in brass or 304 stainless steel and are designed for pipe insertion using a 1/2" threaded saddle (Thredolet®).

The **Outside Air Temperature** application uses a wall bracket with a vented weather shield to minimize the effect of rain or snow and other weather related influences. This rugged enclosure and bracket will ensure long life even in severe weather conditions.

ORDERING INFORMATION

MODEL	DESCRIPTION
ST-T90E	Room temperature transmitter
ST-T90K	Designer room temperature transmitter
	RANGE
0	40° to 90°F (4.4° to 32.2°C) Room transmitter only
1	20° to 120°F (-6.7° to 48.8°C) All mounting types
2	-20° to 140°F (-29° to 60°C) OSA, duct, or immersion
3	0° to 100°F (-18° to 38°C) All mounting types
4	30° to 240°F (-1° to 116°C) OSA, duct, or immersion
11	0° to 35°C (32° to 97°F) All mounting types
12	-30° to 45°C (-22° to 113°F) OSA, duct, or immersion
13	0° to 100°C (32° to 212°F) OSA, duct, or immersion
14	0° to 50°C (32° to 122°F) All mounting types

ST-T90E - **1** *Example: ST-T90E-1* Room temperature transmitter with a range of 20° to 120°F (-6.7° to 48.8°C)

RELATED PRODUCTS

DCP-1.5-W	Power supply, 24 VAC IN to 24 VDC OUT
DCPA-1.2	Power supply, 120 VAC IN to 24 VAC/24 VDC OUT
KT1	Mounting screwdriver 1/16" allen key
TCC-111	Thermal conductive compound 111 ml tub
TCC-12	Thermal conductive compound tube, 12 ml